

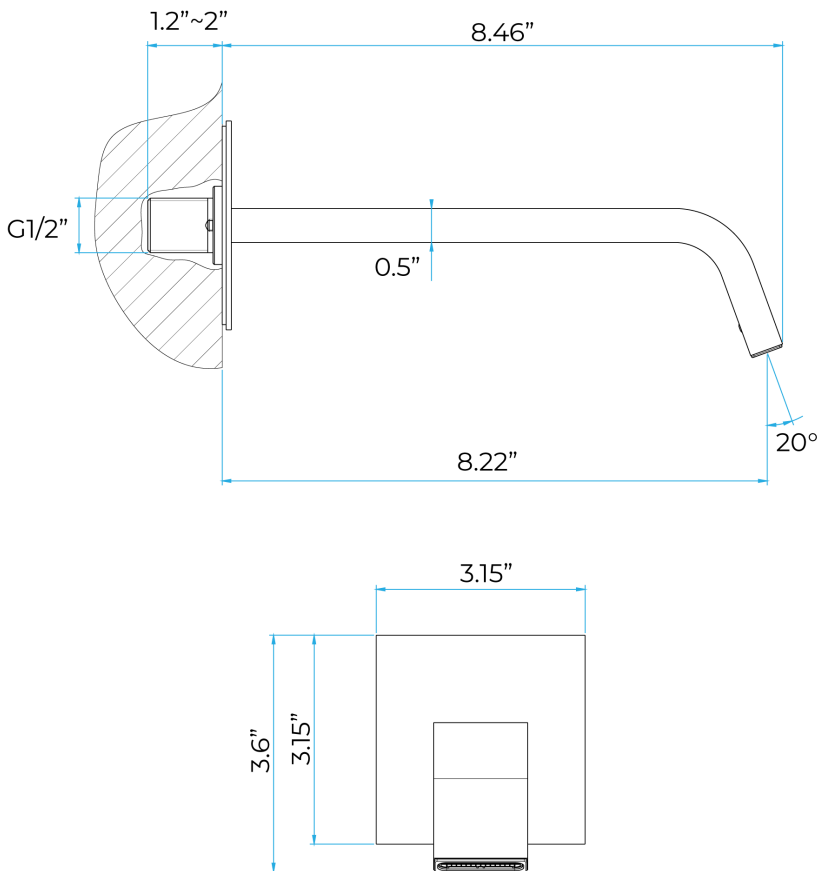
# COMMERCIAL AUTOMATIC WALL MOUNT MATTE BLACK SENSOR BATHROOM FAUCET SPECIFICATIONS

## Technical Information



Installation Type: Wall Mounted  
 Installation Holes: One Hole  
 Valve Type: Ceramic Valve  
 Suitable water pressure: 0.3-1.2MPa  
 Temperature of environment: 1-45 °C (cold & hot water)  
 Power: AC/DC  
 Dia of inlet/outlet pipe: G1/2"  
 Inductive distance: 12-15 cm  
 Flow Rate: 0.5 GPM

## Size



## Overview

